

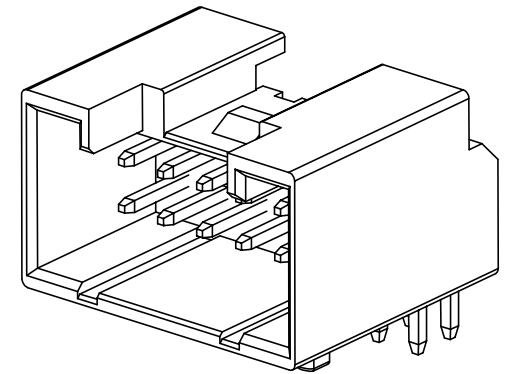
- NOTES:
- MATERIAL:
 - HOUSING: THERMOPLASTIC, HIGH TEMP, UL94V-0;
 - CONTACT: COPPER ALLOY
 - FINISH:
 - CONTACT:
 - 50u"min NICKEL OVERALL, 100u" MIN. MATT TIN.
 - SPEC. PLS. REFER TO PS-51470-XXXX-XXX
 - PACKAGE PLS. SEE PART NUMBER.
 - PART NUMBER

51470-XXX X X -XXX

XXX	DIM D	COLOR
001	1.80	White
002	3.00	White

NO OF CKT ——— PLATING
PACKING ——— N: MATT TIN(LEAD FREE)

1: TUBE
0:TAPE & REEL
4:TAPE & REEL WITH MYLAR
5:TUBE WITH MYLAR



CKT	Dim A	Dim B	Dim C
12	10.00	12.90	14.00

QUALITY SYMBOLS MAJOR Ⓜ CRITICAL Ⓢ		DRAWN BY YUJIAHAO DATE 23/04/13		
GENERAL TOLERANCES (UNLESS SPECIFIED) X. ±0.5 .X ±0.25 .XX ±0.15 .XXX ±0.1 ANGLES ±2°		CHECKED BY XUZHUYONG DATE 23/04/13		
		APPROVED BY XUZHUYONG DATE 23/04/13		TITLE 2.0mm WTB D/R WAFER SMT R/A TYPE
UNITS mm		SIZE A4	RFQ NO.	N/A
SCALE 1:1	SHEET NO. 1 OF 1	REV B	DWG NO. 51470-XXXXX-XXX	